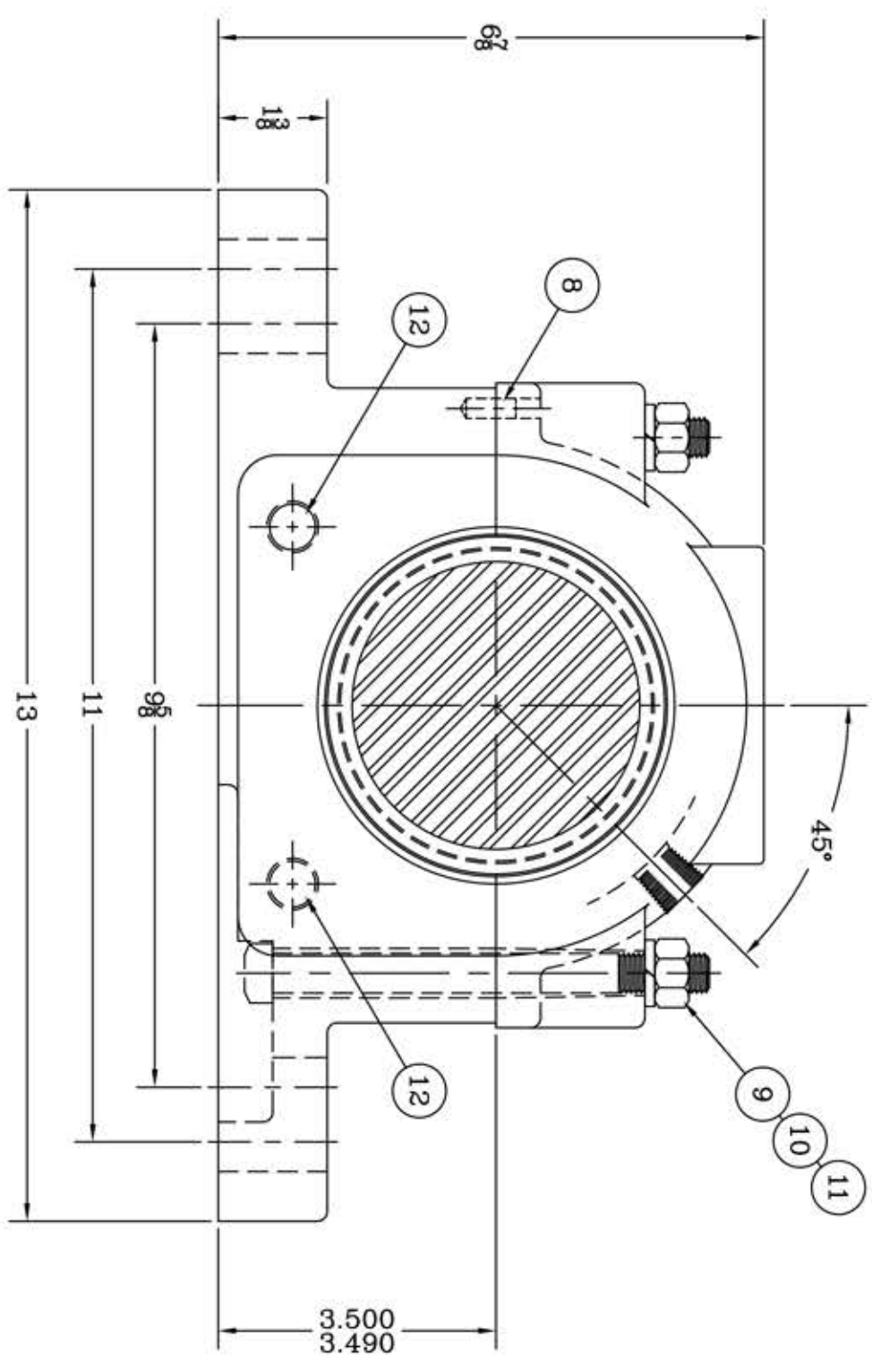
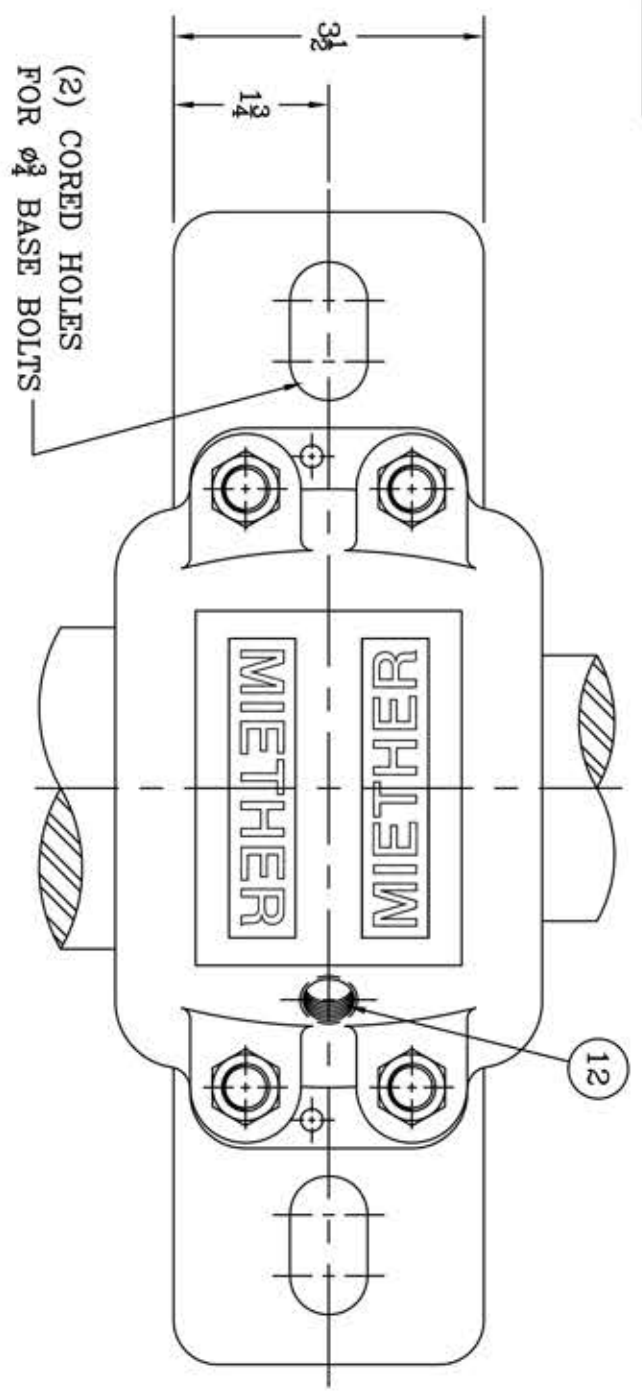
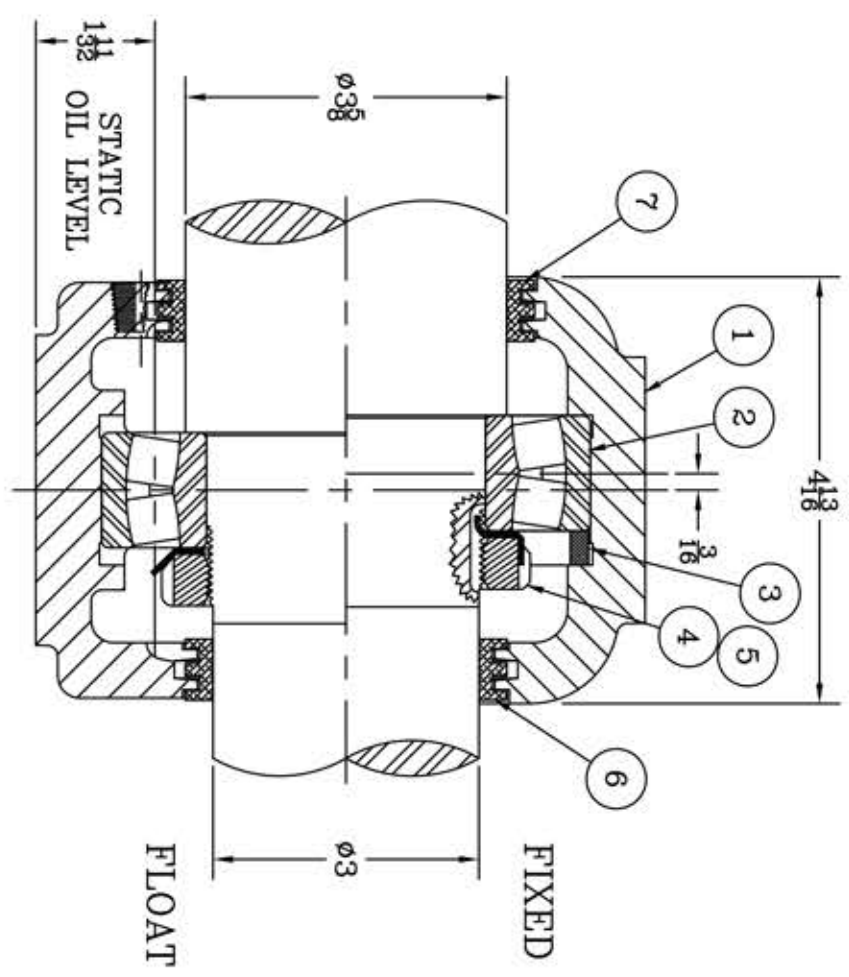


This drawing is the sole property of Miether Bearing Products and contains confidential and proprietary information. It is being provided to you for your use and may not be disclosed to any third party or used for any other purpose without Miether's prior written consent. The [materials] must be returned to the Company upon its demand. Your acceptance of these materials constitutes your acceptance of the foregoing terms.

C-35118



ITEM	DESCRIPTION	DETAIL	REQUIRED
1	HOUSING SAFD 216	C-	1 1
2	SPHERICAL ROLLER BEARING	22216/W33	1 1
3	STABILIZING RING SR-16-13	A-10599	1 0
4	LOCKNUT AN-16	B-11938	1 1
5	LOCKWASHER W-16	00241	1 1
6	TRIPLE SEAL RING LER-54	A-11061	1 1
7	TRIPLE SEAL RING LER-82	A-11075	1 1
8	DOWEL	$\phi 1/4$ x $3/8$ LONG	2 2
9	CAP BOLT SQUARE HEAD Gr 5	$1/2$ -13 NC x $5 1/2$ LONG	4 4
10	CAP BOLT HEX. NUT	$1/2$ -13 NC	4 4
11	LOCKWASHER	$1/2$ SPLIT MED.	4 4
12	PIPE PLUG	$3/8$ -18 NPT	3 3



REVISIONS

SYMBOL	DESCRIPTION
V	...
D	...
E	...
F	...
G	...
J	...
K	...

TOLERANCE: UNLESS OTHERWISE SPECIFIED  
 FRACTIONS  $\pm 1/32$ " ANGLES  $\pm 0^\circ 30'$   
 DECIMALS  $\pm .005$  WELD  $\pm 1/16$ "  
 CASTING  $\pm 1/16$ "

A.I.S.I. STANDARD FINISHES

MICRO-INCH VALUE	FINISH
16	V
32	D
63	E
125	F
250	G
500	J
1000	K

AN ALCO INDUSTRIES COMPANY  
 BEARING PRODUCTS  
 ODESSA, TX. USA

SAFD 22216 03-10 x 03-00  
 ASSEMBLY DRAWING

SCALE 1 = 1.5  
 DRAWN PCF  
 DATE 11/9/12  
 CHK:

ASSEMBLY NO.  
 DRAWING NO. C-35118